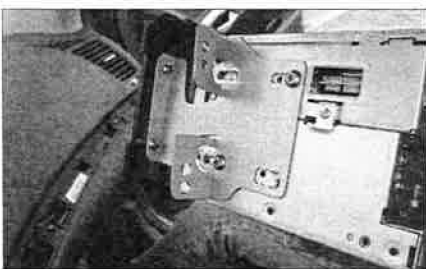


## Installation Manual Double DIN Kit



9. Attach mounting frames and facia plate to double DIN navigation



10. Connect all required circuit points

Mount double DIN navigation to dash board



11. Install everything in reverse order to finish installation



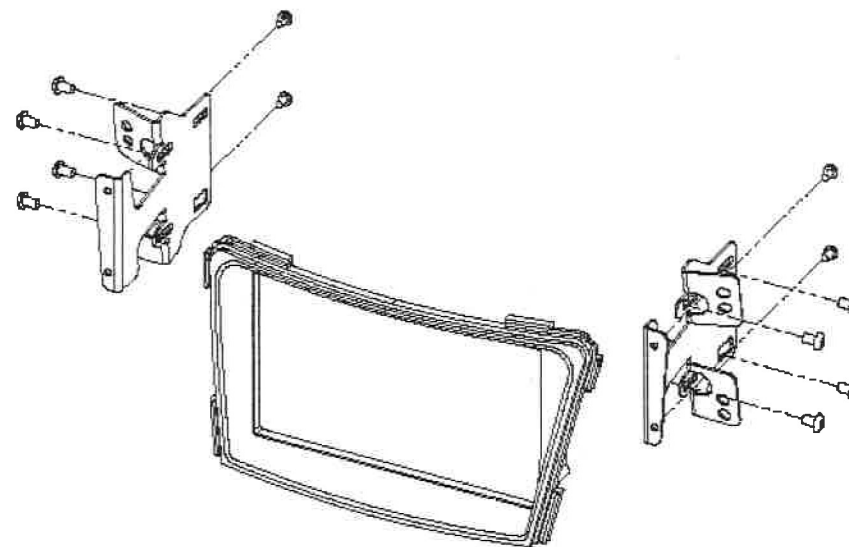
## Installation Manual Double DIN Kit

black: 381143-40  
piano-black: 381143-40-1

### • Hyundai i40 2011->

Compatible with double DIN devices

### Double DIN navigation



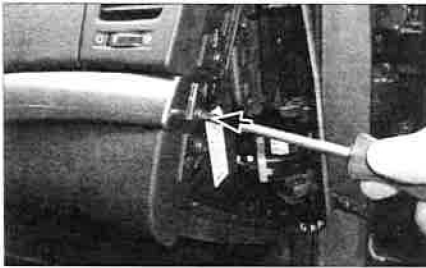
#### Double DIN Kit contents

- (1) Facia Plate
- (2) Mounting Bracket (left)
- (3) Mounting Bracket right

## Installation Manual Double DIN Kit



1. Hyundai i40 OEM dash board



2. Remove bar under OEM head unit (see arrow)



3. Unclip OEM bar under head unit (see arrows)



4. Remove screws under head unit



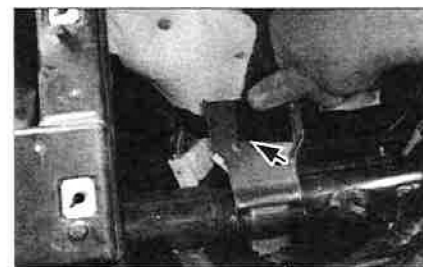
5. Remove air vent frame



6. Remove screws of OEM head unit (see arrows)



7. Remove OEM head unit



8. Bend metal upwards (see arrow) to clear space for double DIN navigation

*All installation work must be performed by a qualified professional installer only.  
The manufacturer / dealer is not liable for any kind of incidental or indirect damages.*